

# MQ Inverted Microscope

Cat No: MIC-M-3-002

**MOLEQULE-ON**<sup>®</sup>



## Description

The MOLEQULE-ON's Inverted Microscope is a new development for direct observation and cultivation for cell tissue without preparing a section or microscope slide. Direct access to the specimen while it is being imaged, allowing users to view or capture the images of the specimen in real-time. Apply to Wide field eyepiece, view field up to  $\Phi 23\text{mm}$ , more comfortable for observation



Long working distance condenser N.A. 0.30, Working distance: 72mm  
Working distance: 195mm (without condenser), available for extra high culture dish  
Large size stage, convenient for research. Size: 240mm(X)  $\times$  210(Y) mm  
Mechanical stage available for 96 holes plate. Moving range: 128mm(X)  $\times$  80(Y) mm



Large diameter quintuple nosepiece can be installed more objectives, more convenient for using.  
 Light distribution (both): 100 : 0 (100% for eyepiece);  
 80 : 20 (80% for trinocular head and 20% for eyepiece)



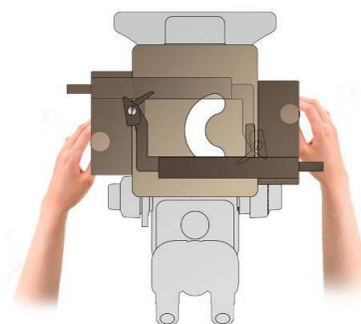
Φ65mm



Φ54mm



Φ35mm



Knob can be changed by left or right

**Objective Parameter List (Cover-glass thickness 1.1mm)**

	Objectives	N.A.	Working distance (mm)
<b>Infinity Plan Objectives</b>	4×	0.11	12.1
	10×	0.25	8.3
	20×	0.40	7.2
	40×	0.60	3.4
<b>Infinity Plan Phase Contrast Objectives</b>	Ph P 10×	0.25	8.3
	Ph P 20×	0.40	7.2
	Ph P 40×	0.60	3.4



## Specifications

Item	Specification	Outfits
Eyepiece	10× / 22mm (23mm is optional)	●●
	4× / 0.11	○
Infinity Plan Objectives	PLAN 10× / 0.25	●
	PLAN 20× / 0.40	●
	PLAN 40× / 0.60	●
Infinity Plan Phase Contrast Objectives	Ph P 10× / 0.25	○
	Ph P 20× / 0.40	●
	Ph P 40× / 0.60	○
Annular Spot	10×	●
	20×/ 40× ( for both 20× and 40× )	●
Trinocular Head	Inclined 45°, interpupillary distance: 48-76mm	
	Light distribution (both): 100: 0 (100% for eyepiece)	●
	80:20 (80% for trinocular head, and 20% for eyepiece)	
Nosepiece	Quintuple	●
Mechanical Stage	Stage size: X×Y: 210×241mm, Round slide size: Φ118mm, Attached mechanical stage	●
	(available for 96 holes plate, moving range X×Y: 128×80mm.)	
Culture Dish Holder	65mm	○
	54mm	●
	35mm	○
Condenser	Long working distance, Quickly detachable, N.A.0.3, Working distance: 72mm (with condenser),195mm(without condenser).	●
Kochler Illumination	6V/30W (input voltage: 100V~240V)	●
	Blue	●
	Green	●
	Amber	○
	Grey	○
C-mount	1× C-Mount (better for digital photograph)	○
	0.5× C-Mount ( focus adjustable, better for digital camera)	○
Adaptor for Digital Photograph	Use for CANON / NIKON / OLYMPUS etc.	○
Epi Fluorescence Illumination	Epi fluorescence unit, field diaphragm, center adjustable.	○
	100W mercury lamp	○
	B, G, V, UV fluorescence filters can be chosen.	○
	Digital mercury lamp power box (input voltage:100V~240V)	○

Note: "●" In Table Is Standard outfits, "○" Is Optional Accessories.